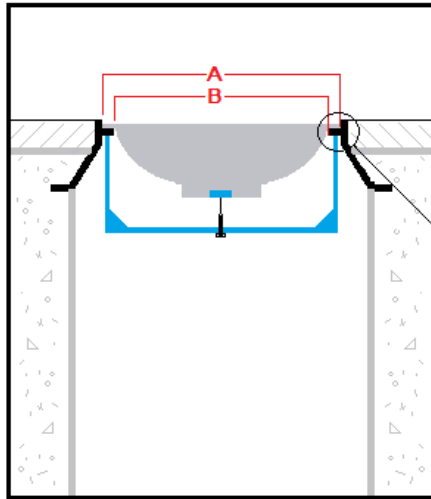


Manhole No. _____

Location _____

MANHOLE WORKSHEET

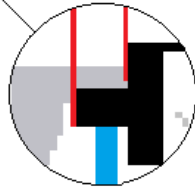
1. Assign Manhole an Unique Identifier
2. Enter location
3. Select Type that best represents actual construction
4. Record dimensions in inches



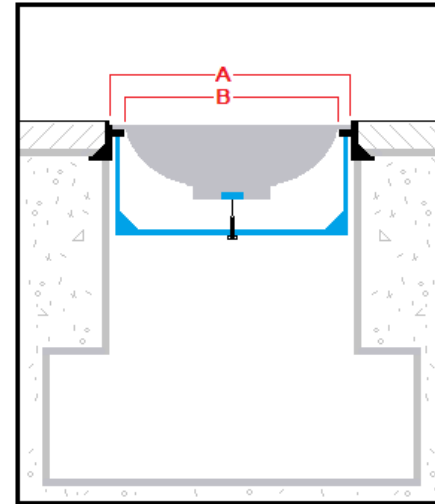
TYPE 1

A _____

B _____



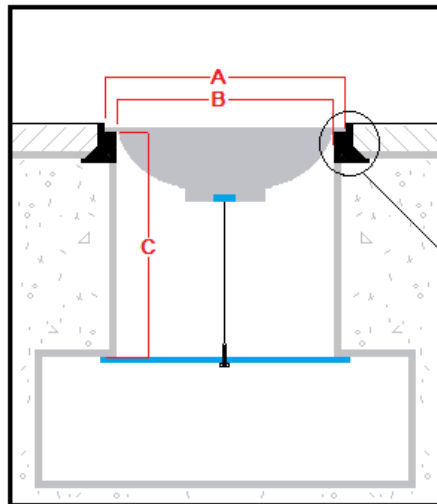
Type 1 and 2: Ledger bar secures to underside of cover support ring



TYPE 2

A _____

B _____

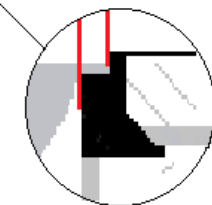


TYPE 3

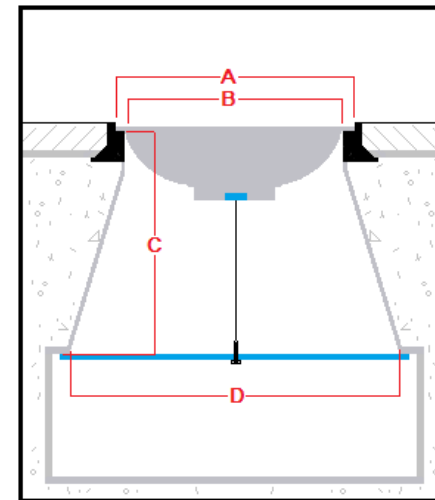
A _____

B _____

C _____



Type 3 and 4: Ledger bar is modified to secure to top of vault - no surface available on ring.



TYPE 4

A _____

B _____

C _____

D _____

Exceptions: If the manhole and chimney do not line up, is off-set or off-center, please contact your LockDown representative or the office at 800-572-3119. Also contact us if the manhole cover has a reinforced ring below. LockDown security devices can be customized to meet any need or application.