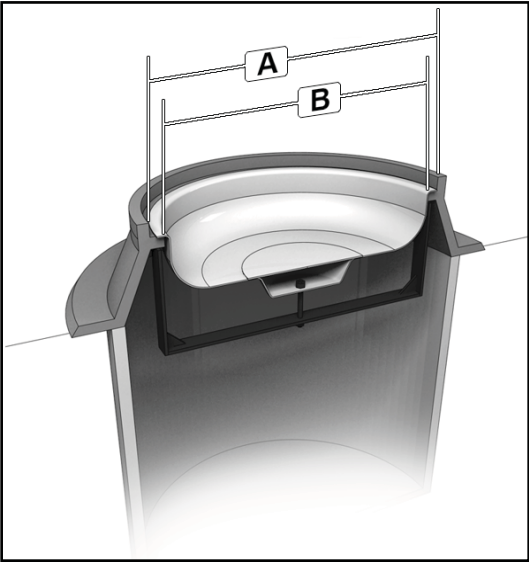


Manhole Frame Worksheet

1. Select drawing that most closely matches manhole for LockDown installation.
2. Remove manhole cover and record dimensions in inches.

A = inside diameter of frame
 B = inside diameter of cover support ring (clear space opening)
 C = from lip of manhole frame ring to ceiling of vault
 D = diameter of opening at ceiling of vault

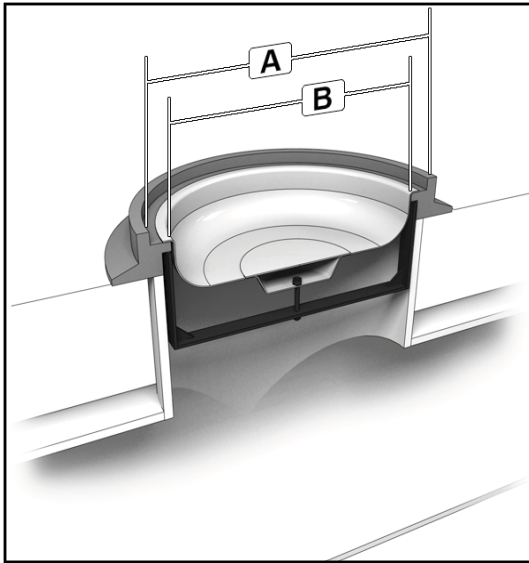


TYPE 1

A _____

B _____

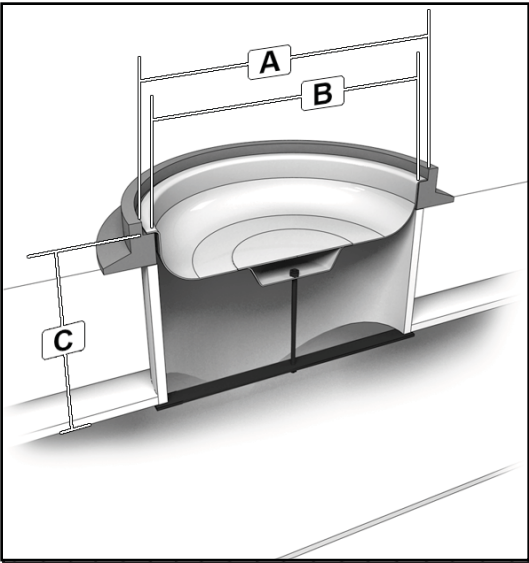
Type 1 and 2 use a standard ledger bar that secures to the bottom side of the cover support ring.



TYPE 2

A _____

B _____



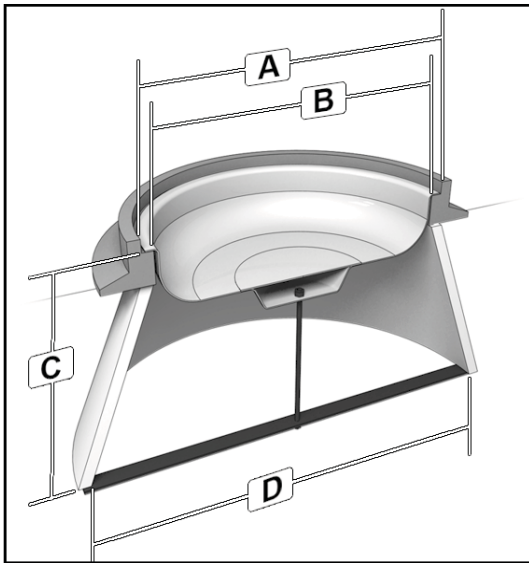
TYPE 3

A _____

B _____

C _____

Type 3 and 4 use a modified ledger bar that secures to the ceiling of the vault.



TYPE 4

A _____

B _____

C _____

D _____

Exceptions: If you encounter manholes where the frame and chimney don't line up, (i.e. the frame and chimney are off-center), call us at 866-399-2512 or www.lockdownsolutions.com. We can customize to your particular need. If your manhole cover has a reinforcing ring on the underside, please let us know.